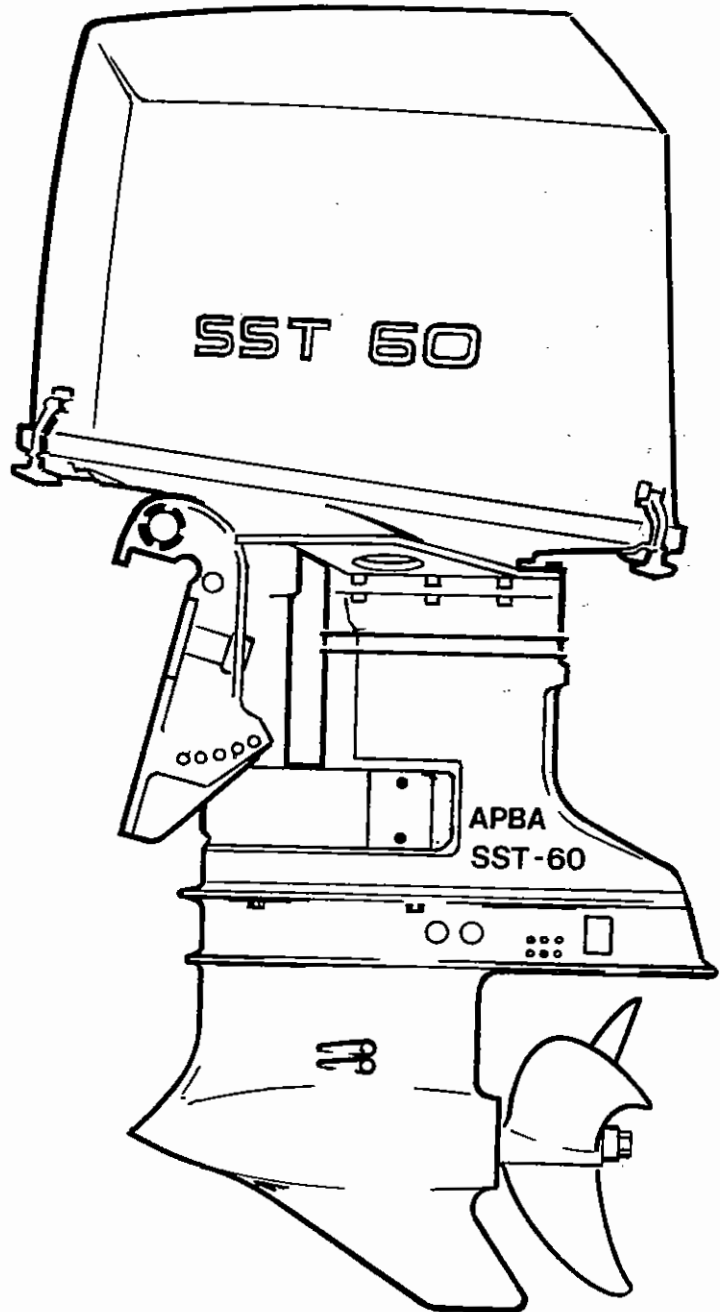
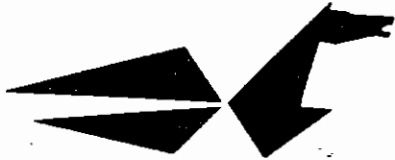


PARTS CATALOG



SSTE-14M



SST-60

AND MODEL NUMBERS PRECEDED BY A, B, C, H, S, V

FINAL EDITION



Note

WHEN REPLACEMENT PARTS ARE REQUIRED, USE GENUINE OMC PARTS OR PARTS WITH EQUIVALENT CHARACTERISTICS INCLUDING TYPE, STRENGTH, AND MATERIAL. FAILURE TO DO SO MAY RESULT IN PRODUCT MALFUNCTION AND POSSIBLE INJURY TO THE OPERATOR.

OUTBOARD MARINE CORPORATION, MANUFACTURER OF JOHNSON® AND EVINRUDE® OUTBOARDS, RESERVES THE RIGHT TO MAKE CHANGES AT ANY TIME, WITHOUT NOTICE, IN SPECIFICATIONS OR PARTS AT ANY TIME WITHOUT INCURRING ANY OBLIGATION TO EQUIP SAME ON MODELS MANUFACTURED PRIOR TO DATE OF SUCH CHANGE.

WHILE THE INFORMATION CONTAINED IN THIS PARTS CATALOG IS BASED ON THE LATEST PRODUCT INFORMATION AVAILABLE AT THE TIME OF PUBLICATION, THE CONTINUING ACCURACY OF THIS PARTS CATALOG CANNOT BE GUARANTEED.

ALL ILLUSTRATIONS USED IN THIS PARTS CATALOG MAY NOT DEPICT ACTUAL MODELS OR EQUIPMENT AND ARE INTENDED AS REPRESENTATIVE VIEWS FOR REFERENCE ONLY. DO NOT USE THIS PARTS CATALOG IN LIEU OF A SERVICE MANUAL.

REF. NO. PRECEDED BY A ★ ARE AVAILABLE ONLY FROM:

SECOND EFFORT PERFORMANCE PRODUCTS INC.
P.O. BOX 69
HIGHWAY 27
LAKE HAMILTON, FLORIDA 33851
(813) 439-3651

ALL OTHER PARTS ARE AVAILABLE THROUGH JOHNSON® AND EVINRUDE® DEALERS FROM OMC PARTS AND ACCESSORIES DISTRIBUTORS.

INDENTED PART NAMES INDICATE THAT THESE PARTS ARE INCLUDED IN PRECEDING ASSEMBLY

Table of Contents

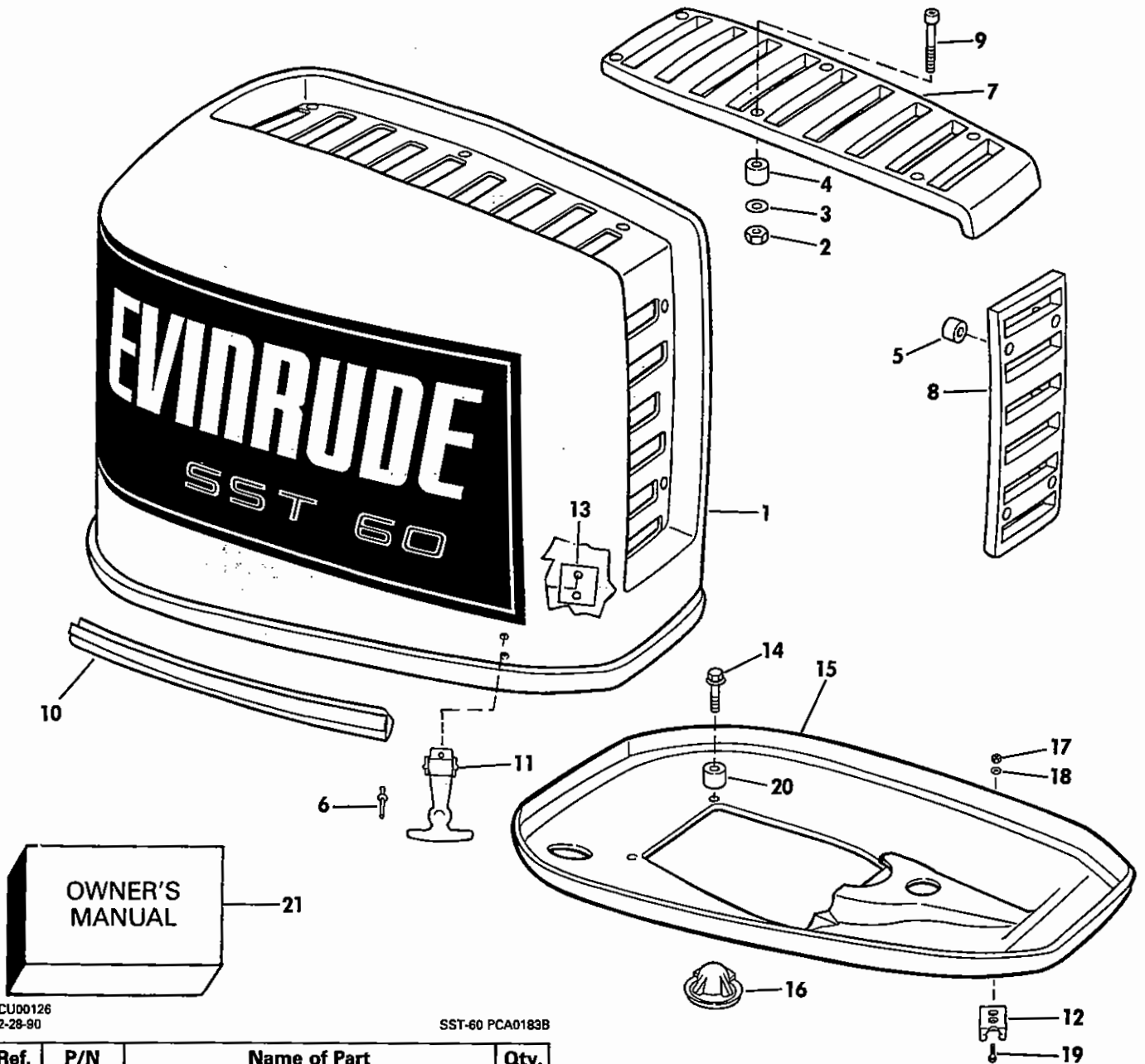
	Page
Engine Cover, Evinrude	4
Engine Cover, Johnson	5
Ignition System	6
Electric Starter	8
Fuel Pump, Battery Cables & OMC Filter	9
Electric Primer System	10
Intake Manifold	11
Carburetor	12
Crankshaft and Piston	13
Cylinder and Crankcase	14-15
Midsection	16-17
Gearcase	18-19
Power Trim Kit	20-21
Dash Panel & Boat Electrical Cable	22

09-1SS

<u>E.S.NO.</u>	<u>COLOR</u>	<u>SPRAY CAN</u>	<u>*OMC/PPG COLOR CODE</u>
1655	PRIMER	172757	ZINC CHROMATE
1678	WHITE	173744	81WJ1
1740	RED	332815	85RJ1
1748	BLACK	330446	85BJ1
1773	METALLIC BLACK	431709	87BJ1

*PPG REFINISHING COLOR CODE NUMBERS ARE LISTED FOR YOUR CONVENIENCE (FORMERLY DITZLER). PLEASE USE THESE COLOR CODE NUMBERS AT YOUR LOCAL PPG DISTRIBUTION CENTER WHEN LARGER QUANTITIES ARE DESIRED.

ENGINE COVER - EVINRUDE



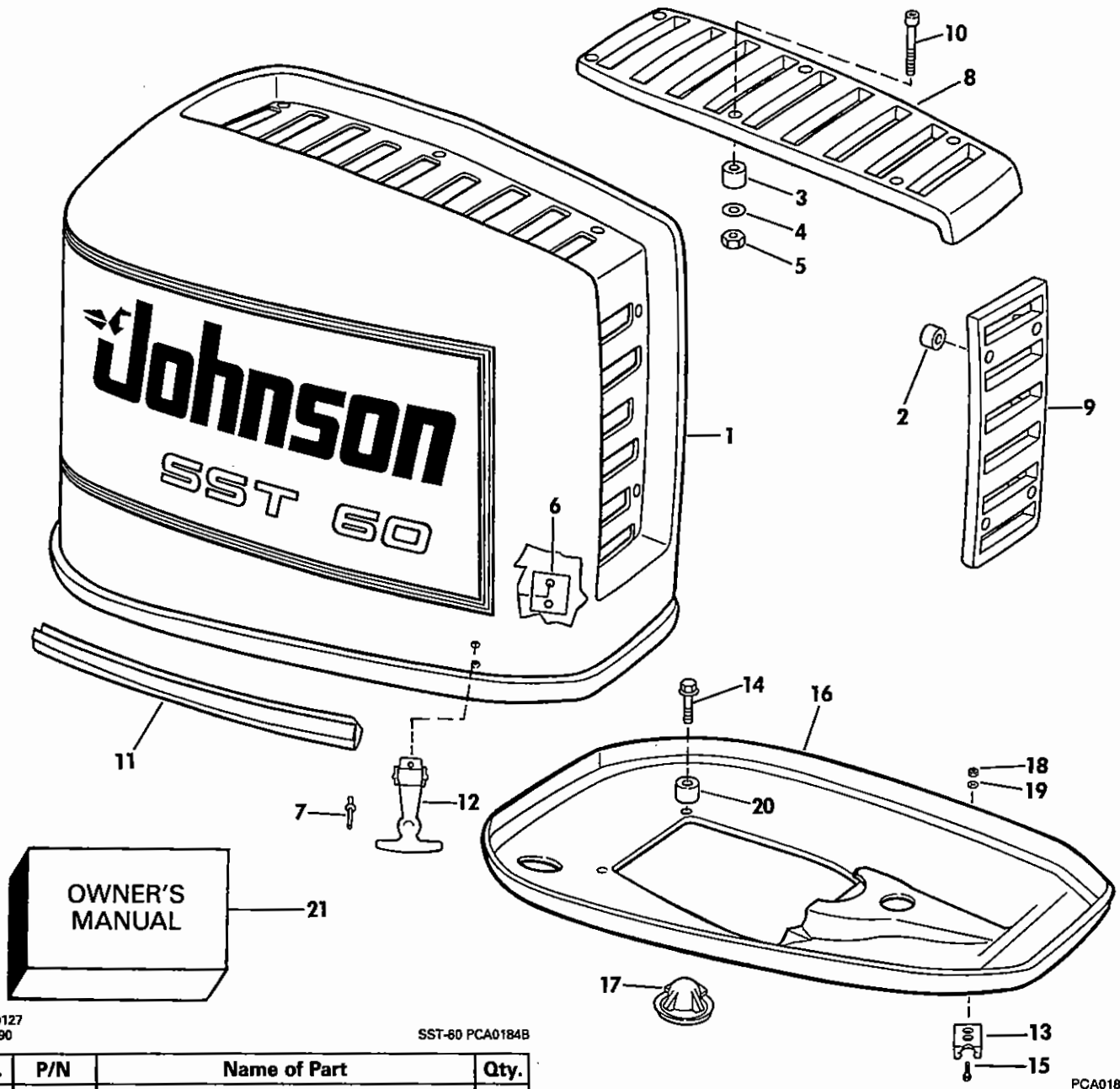
ECU00126
02-28-90

SST-60 PCA0183B

Ref.	P/N	Name of Part	Qty.
★1	283909	ENGINE COVER ASSY., Ev.	1
2	307999	. NUT, Louver	10
3	328737	. WASHER, Louver	10
4	335615	. SPACER, Louver	8
5	335616	. SPACER, Front	2
6	335587	. RIVET, Latch	8
★7	335586	. LOUVER, Top	1
★8	335580	. LOUVER, Front	1
★9	335646	. SCREW, Louver	10
★10	335579	. SEAL, Cover	1
★11	433551	. LATCH ASSY.	4
★12	335446	. KEEPER	4
★13	335588	. BACKUP PLATE	4
14	310259	SCREW, Lower cover	5
★15	335457	LOWER ENGINE COVER	1
★16	433451	DRAIN, Engine cover	1
17	307999	NUT, Keepers	8
18	303715	WASHER, Keepers	8
19	307175	SCREW, Keepers	8
20	336468	SPACER, Lower motor cover	5
21	211512	OWNER'S MANUAL	1

PCA0183B

ENGINE COVER - JOHNSON



ECU00127
02-28-90

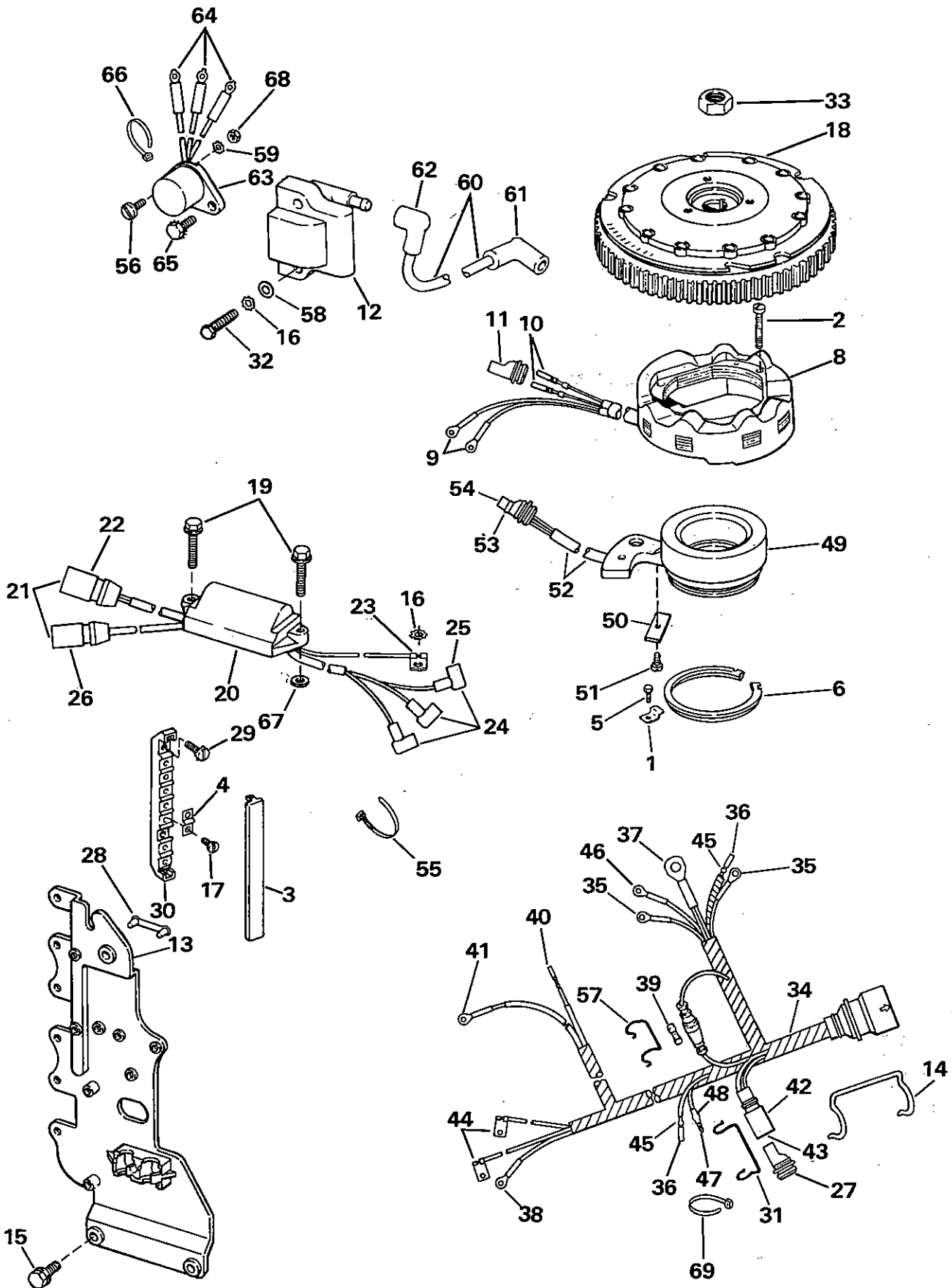
SST-60 PCA0184B

Ref.	P/N	Name of Part	Qty.
★1	433525	ENGINE COVER, Jo.....	1
2	335616	. SPACER, Front	2
3	335615	. SPACER, Louver	8
4	328737	. WASHER, Louver	10
5	307999	. NUT, Louver	10
★6	335588	. BACKUP PLATE	4
7	335587	. RIVET, Latch to cover	8
★8	335586	. LOUVER, Top	1
★9	335580	. LOUVER, Front	1
★10	335646	. SCREW, Louver	14
★11	335579	. SEAL, Engine cover	1
★12	433551	. LATCH ASSY.....	4
★13	335446	. KEEPER	4
14	310259	SCREW, Lower cover	5
15	307175	SCREW, Keeper	8
★16	335457	ENGINE COVER, Lower	1
★17	433451	DRAIN, Lower engine cover	1
18	307999	NUT, Screw, keepers	8
19	303715	WASHER, Keepers	8
20	336468	SPACER, Lower motor cover	5
21	433478	OWNER'S MANUAL.....	1

PCA0184B

SST-60

IGNITION SYSTEM



IGNITION SYSTEM

ELE00101
01-24-89

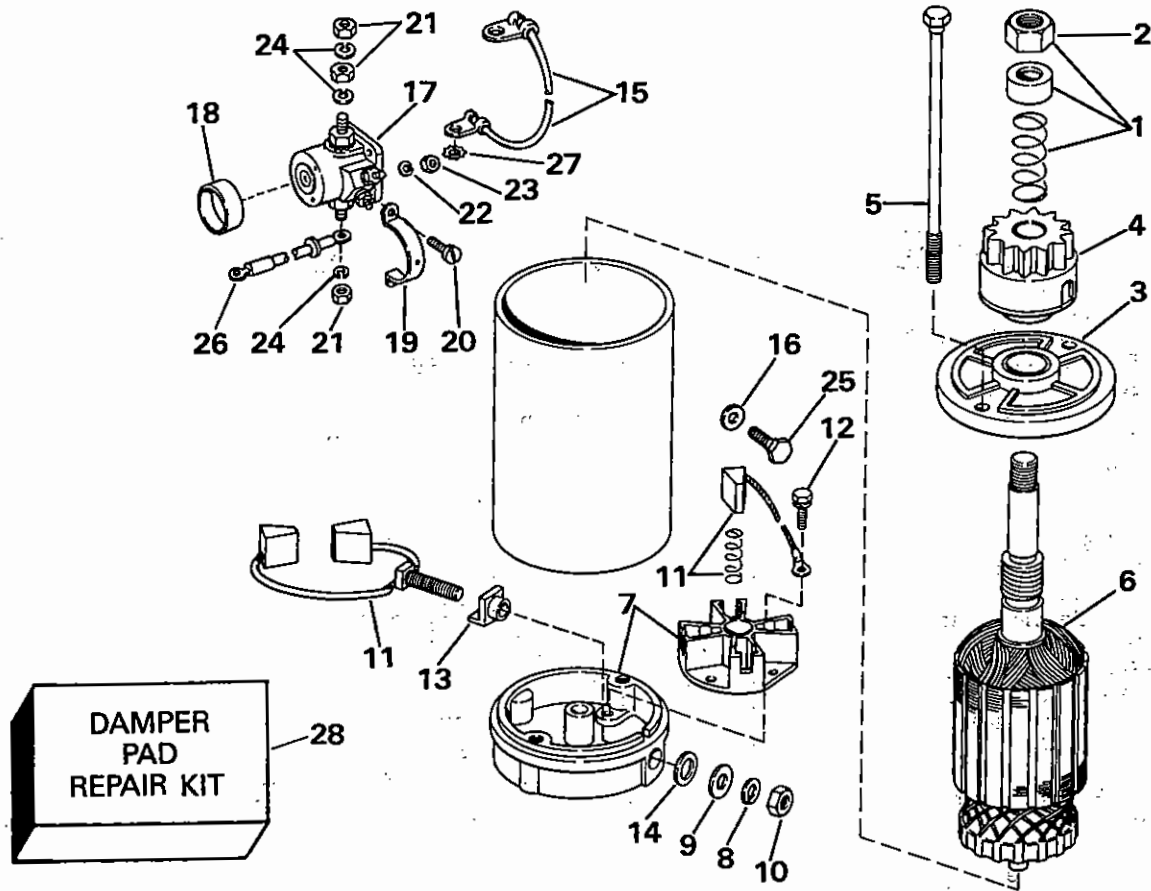
SST-60

Ref.	P/N	Name of Part	Qty.
1	314495	CLAMP, Timer base	3
2	325042	SCREW, Stator mounting	3
3	432450	TERMINAL BLOCK COVER	1
4	315004	JUMPER, Terminal block	1
5	328714	SCREW, Retainer clamp	3
6	313666	RETAINER, Timer base	1
8	583724	STATOR ASSY., 6 Amp	1
9	511399	. TERMINAL	2
10	581656	. SOCKET	4
11	511989	. CONNECTOR	1
12	582508	COIL ASSY.	1
13	583746	BRACKET, Electrical	1
14	315182	CLAMP, Cable	1
15	308739	SCREW, Electrical bracket	3
16	328701	WASHER, Ground	4
17	329182	SCREW, Terminal block	AR
18	583222	FLYWHEEL ASSY.	1
19	328726	SCREW, Power pack	2
20	582115	POWER PACK.	1
21	511469	. PIN.	7
22	512750	. CONNECTOR, Timer Base	1
23	512131	. TERMINAL	1
24	512478	. COVER	3
25	512256	. PIN, Receptacle	3
26	512748	. CONNECTOR, Stator	1
27	513366	SEAL, Connector	1
28	332685	CLIP, Wire retainer	1
29	306644	SCREW, Block to cylinder	2
30	329895	TERMINAL BLOCK	1
31	512742	RETAINER, Connector	1
32	328725	SCREW, Coil mounting	6
33	323599	NUT, Flywheel	1
34	583771	MOTOR CABLE ASSY.	1
35	204036	. RING TERMINAL	2

Ref.	P/N	Name of Part	Qty.
36	512876	. RECEPTACLE	2
37	204053	. RING TERMINAL	1
38	510780	. RING TERMINAL	1
39	510884	. FUSE, 20 Amp	1
40	581656	. SOCKET	1
41	512062	. TERMINAL	1
42	512748	. CONNECTOR	1
43	511469	. PIN.	3
44	511399	. TERMINAL	1
45	513186	. INSULATING SLEEVE	2
46	510818	. SLEEVE	1
47	512947	. PLUG	1
48	513185	. SLEEVE	1
49	583378	TIMER BASE ASSY.	1
50	511387	. CLAMP	1
51	510193	. SCREW, Clamp	1
52	511482	. TUBING	1
53	512749	. CONNECTOR	1
54	581656	. SOCKET	4
55	317893	TIE STRAP, Coil leads	1
56	329892	SCREW, Rectifier mounting	1
57	321077	RETAINER	1
58	328703	WASHER, Ignition coil mounting	6
59	303701	LOCKWASHER, Ground	1
60	582365	LEAD ASSY.	3
61	581027	. TERMINAL & COVER	1
62	580339	. TERMINAL & COVER	1
63	582399	RECTIFIER & LEAD	1
64	511733	. RING TERMINAL	3
65	329266	SCREW, Rectifier mounting	1
66	317893	TIE STRAP, Rectifier lead	1
67	329176	WASHER, Power pack to bracket	1
68	328712	NUT, Ground	1
69	320107	TIE STRAP	AR

SST-60

ELECTRIC STARTER



STA00042
01-20-89

891403

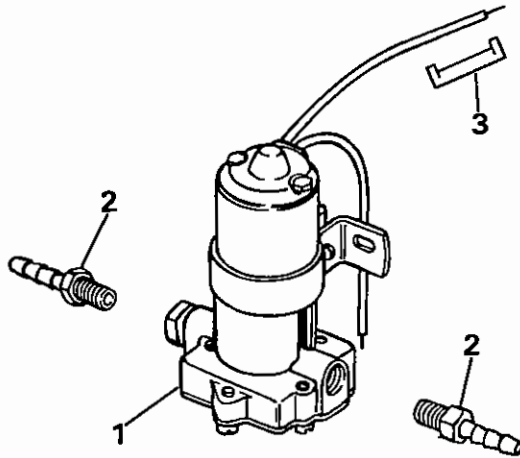
SST-60

Ref.	P/N	Name of Part	Qty.
*	391735	STARTER MOTOR ASSY.	1
1	393354	.. NUT SPRING AND SPACER KIT	1
2	316740	.. NUT, Drive assy.	1
3	386639	.. CAP ASSY.	1
4	384781	.. DRIVE ASSY.	1
5	387937	.. THRU BOLT PACKAGE	1
6	384779	.. ARMATURE ASSY.	1
7	386645	.. CAP ASSY. COMMUTATOR	1
8	316744	.. LOCKWASHER	1
9	316749	.. WASHER, Plain	1
10	304753	.. NUT, Input stud	1
11	385952	.. BRUSH AND SPRING SET	1
12	316746	.. BOLT AND LOCKWASHER	2
13	316743	.. BUSHING, Insulation	1
14	316748	.. WASHER, Insulation	1

Ref.	P/N	Name of Part	Qty.
15	580733	LEAD, Solenoid to ground	1
16	306470	LOCKWASHER	3
17	395419	SOLENOID ASSY.	1
18	311217	SLEEVE, Solenoid	1
19	330112	CLAMP, Solenoid mounting	1
20	329217	SCREW, Solenoid mounting	2
21	311349	NUT, Terminal	3
22	304454	LOCKWASHER, Terminal	2
23	306556	NUT, Terminal	2
24	331259	LOCKWASHER, Terminal	3
25	302860	SCREW, Str. mtg. 1 1/8 in. (29mm)	1
25	316109	SCREW, Str. mtg. 1 3/4 in. (44mm)	2
26	583851	LEAD, Starter to solenoid	1
27	328701	LOCKWASHER, Ground	1
28	387735	DAMPER PAD REPAIR KIT	1

* Not Shown

FUEL PUMP AND REGULATOR

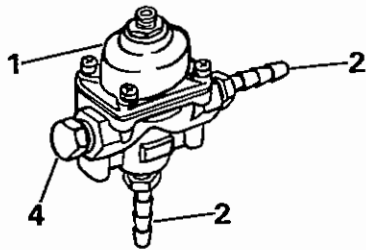


841074

ACF00045
01-20-89

SST-60

Ref.	P/N	Name of Part	Qty.
1	388444	FUEL PUMP & REGULATOR.....	1
2 ★	560166	. FITTING, Hose, ½ in. (13mm)	4
3	308806	. COVER, Knife disconnect	2
4	315976	. PLUG	1



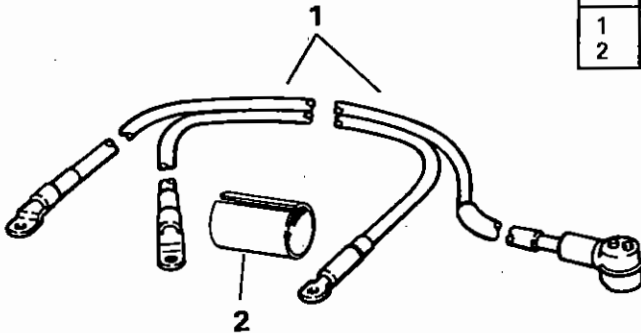
881343

BATTERY CABLE ASSY.

ELE00124
05-25-89

SST-60

Ref.	P/N	Name of Part	Qty.
1	395390	BATTERY CABLE ASSY.....	1
2	512423	. SLEEVE	1

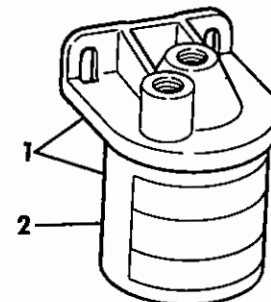


OMC FUEL FILTER

ACF00030
01-20-89

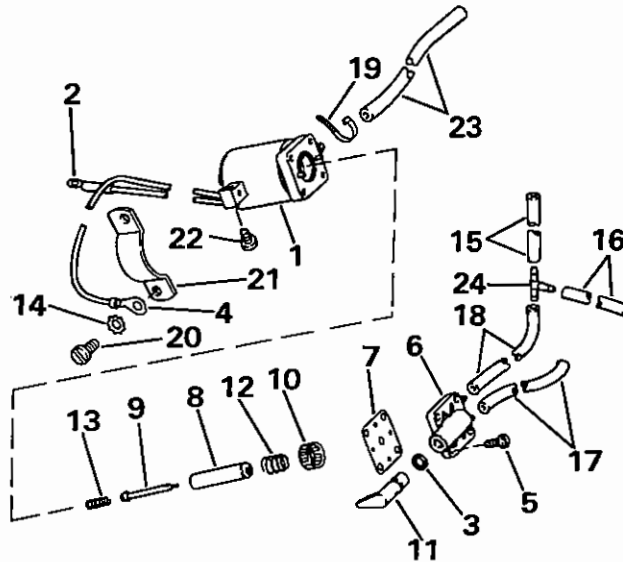
SST-60

Ref.	P/N	Name of Part	Qty.
1	174176	OMC FUEL FILTER ASSY.....	1
2	174144	. ELEMENT.....	1



SST-60

ELECTRIC PRIMER SYSTEM



881400

FUL00162
01-20-89

SST-60,65D,70,75

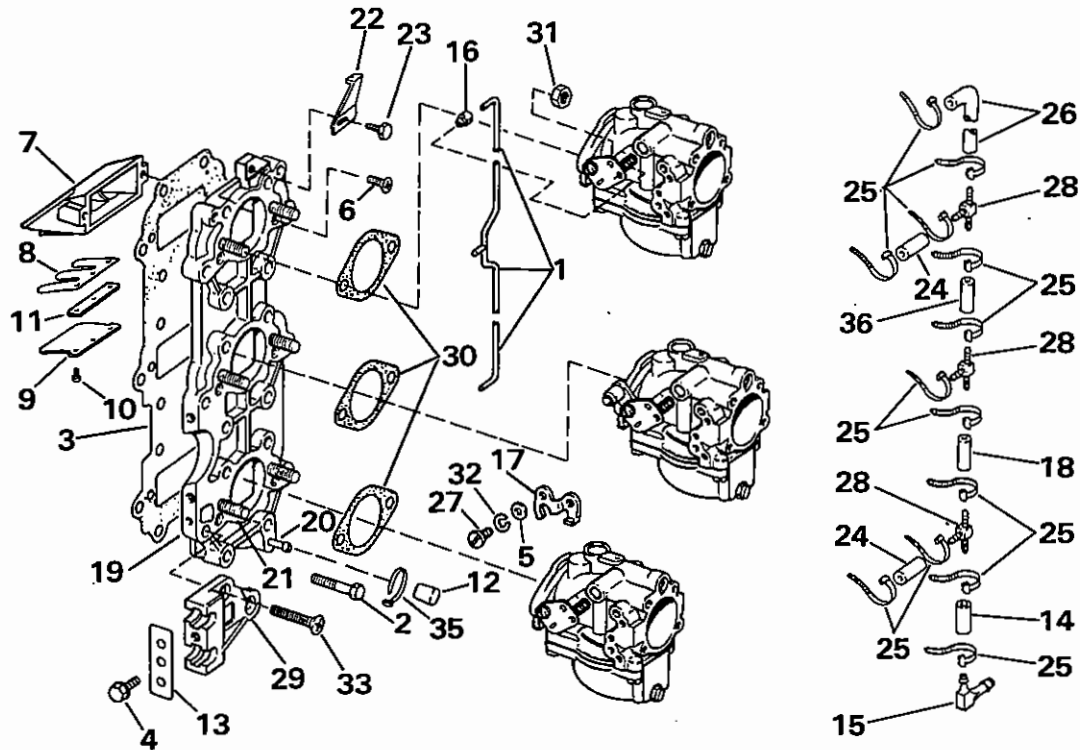
Ref.	P/N	Name of Part	Qty.
1	397909	SOLENOID ASSY., Primer	1
2	510780	. TERMINAL, Ring	1
3	331365	. O-RING, Manual valve	1
4	510818	. TERMINAL, Ring	1
5	330121	. SCREW, Cover to housing	4
6	511807	. COVER, Primer solenoid	1
7	333448	. GASKET, Solenoid	1
8	511809	. PLUNGER	1
9	333447	. VALVE, Plunger	1
10	332365	. FILTER, Valve housing	1
11	511812	. MANUAL VALVE	1
12	511986	. SPRING, Valve	1
13	511987	. SPRING, Plunger	1

Ref.	P/N	Name of Part	Qty.
14	328701	LOCKWASHER, Solenoid ground	1
15	##	HOSE, Tee to mid. carb. 6 in. (152mm)	1
16	##	HOSE, Tee to lower carb. 1 in. (25mm)	1
17	##	HOSE, Primer to upper carb. 12 in. (305mm)	1
18	##	HOSE, Tee to primer, 2 1/4 in. (60mm) . .	1
19	317893	TIE STRAP, Primer solenoid	AR
20	329217	SCREW, Clamp to manifold	2
21	330153	CLAMP, Primer solenoid	1
22	329182	SCREW, Primer terminal	1
23	#	HOSE, Primer to tee, 4 in. (102mm) . . .	1
24	325569	TEE, Primer solenoid hoses	1

Cut to Length from 327228 - 5/32 in. I.D., 25 ft. (7,6m) Roll

Cut to Length from 327229 - 0.0575 in. I.D., 25 ft. (7,6m) Roll

INTAKE MANIFOLD



SHB00171
01-20-99

891404

SST-60

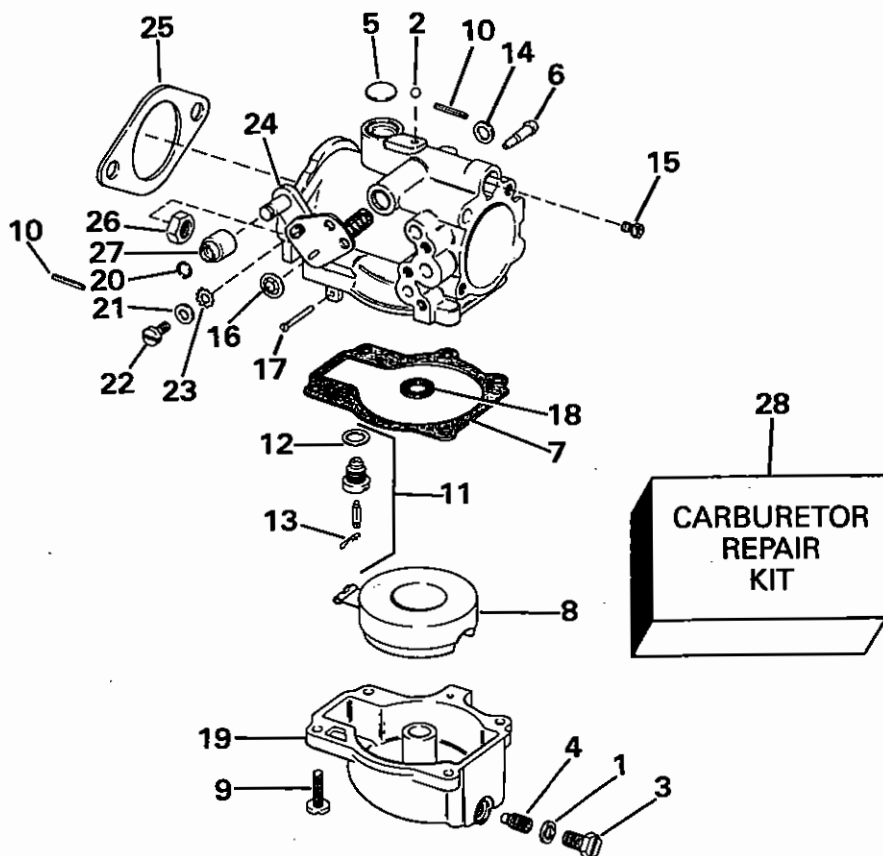
Ref.	P/N	Name of Part	Qty.
1	432271	LINK AND PIN, Middle arm	1
2	554306	SCREW, Manifold to crankcase	16
3	326926	GASKET, Plate to manifold	1
4	335200	SCREW, Retainer to anchor block	1
5	328735	WASHER, Throttle adj. screw	3
6	316116	SCREW, Plate to base	6
7	389731	LEAF PLATE ASSEMBLY	3
8	313420	. LEAF VALVE	6
9	323688	. LEAF STOP	2
10	327074	. SCREW, Leaf stop	6
11	324090	. SHIM, Leaf valve	2
12	305749	PLUG	1
13	319967	RETAINER, Cable	1
14	#	HOSE, Elbow to fuel tee, 1 1/4 in. (32mm) long.	1
15	327729	ELBOW, Hose, tee to fuel pump	1
16	318165	RETAINER, Throttle	3
17	329418	LEVER, Throttle adjustment.	2
18	#	HOSE, Lower tee to middle tee, 2 1/2 in. (65mm).	1

Ref.	P/N	Name of Part	Qty.
19	389395	MANIFOLD, Intake	1
20	325659	. NIPPLE, Manifold.	1
21	314497	. STUD, Carburetor mounting	6
22	332682	TIMING POINTER.	1
23	328714	SCREW, Pointer to manifold	1
24	#	HOSE, Tee to carb., 1 1/4 in. (32mm)	2
25	320107	CLAMP STRAP.	AR
26	#	HOSE, Tee to upper carb., 5 in. (127mm).	1
27	306014	SCREW, Throttle adjustment.	2
28	313537	TEE, Fuel hose.	3
29	332683	ANCHOR BLOCK, Trunnion	1
30	325092	GASKET, Carburetor	3
31	121674	NUT, Carburetor mounting	6
32	303701	LOCKWASHER, Screw	3
33	324315	SCREW, Anchor block to manifold.	2
34	314021	BUMPER, Mounting bracket.	2
35	320107	TIE STRAP.	1
36	#	HOSE, Tee to tee, 1 1/4 in. (32mm).	1

Cut to Length from 327720 36 in. (914mm)

SST-60

CARBURETOR



861510

FUL00163
01-20-89

SST-60

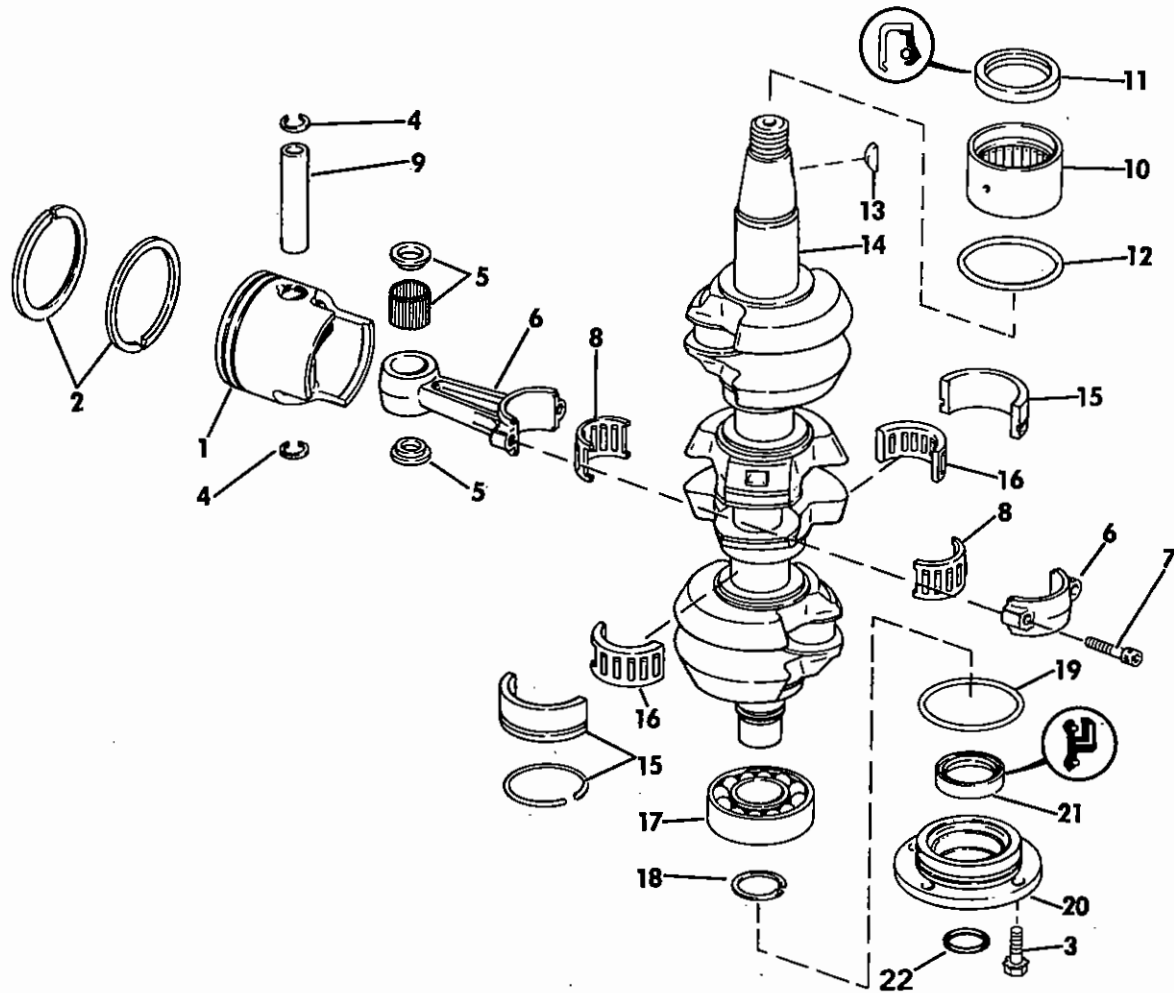
Ref.	P/N	Name of Part	Qty.
*	433457	CARBURETOR ASSEMBLY	3
1	303630	WASHER ①	1
2	304201	LEAD SHOT	1
3	330057	SCREW PLUG	1
4	327487	ORIFICE PLUG, 73D	1
5	202310	CORE PLUG ①	1
6	314513	NIPPLE, Fuel	1
7	332696	GASKET, Float bowl ①	1
8	382363	FLOAT ASSEMBLY ①	1
9	333430	SCREW, Float bowl	4
10	314575	ROLL PIN	2
11	396521	FLOAT VALVE & SEAT ASSY. ①	1
12	301996	WASHER, Float valve	1
13	603145	CLIP, Float valve	1
14	307596	WASHER, Throttle shaft	1

Ref.	P/N	Name of Part	Qty.
15	320015	ORIFICE, No. 33	1
16	313973	RETAINER ①	1
17	302661	PIN, Float hinge ①	1
18	332708	GASKET, Nozzle ①	1
19	330195	FLOAT CHAMBER ASSY.	1
20	308776	RETAINING RING, Roller	1
21	328735	WASHER, Screw	1
22	306014	SCREW, Cam follower	1
23	303701	LOCKWASHER	1
24	397036	LINK & PIN, Throttle adj.	1
25	325092	GASKET, Carburetor mounting ①	3
26	121674	NUT, Carburetor mounting	2
27	397499	ROLLER & SLEEVE, Cam follower	1
28	398729	CARBURETOR REPAIR KIT	1

* Not Shown

① Also Available in Carburetor Repair Kit

CRANKSHAFT & PISTON



SHB00172
01-20-89

891405

SST-60

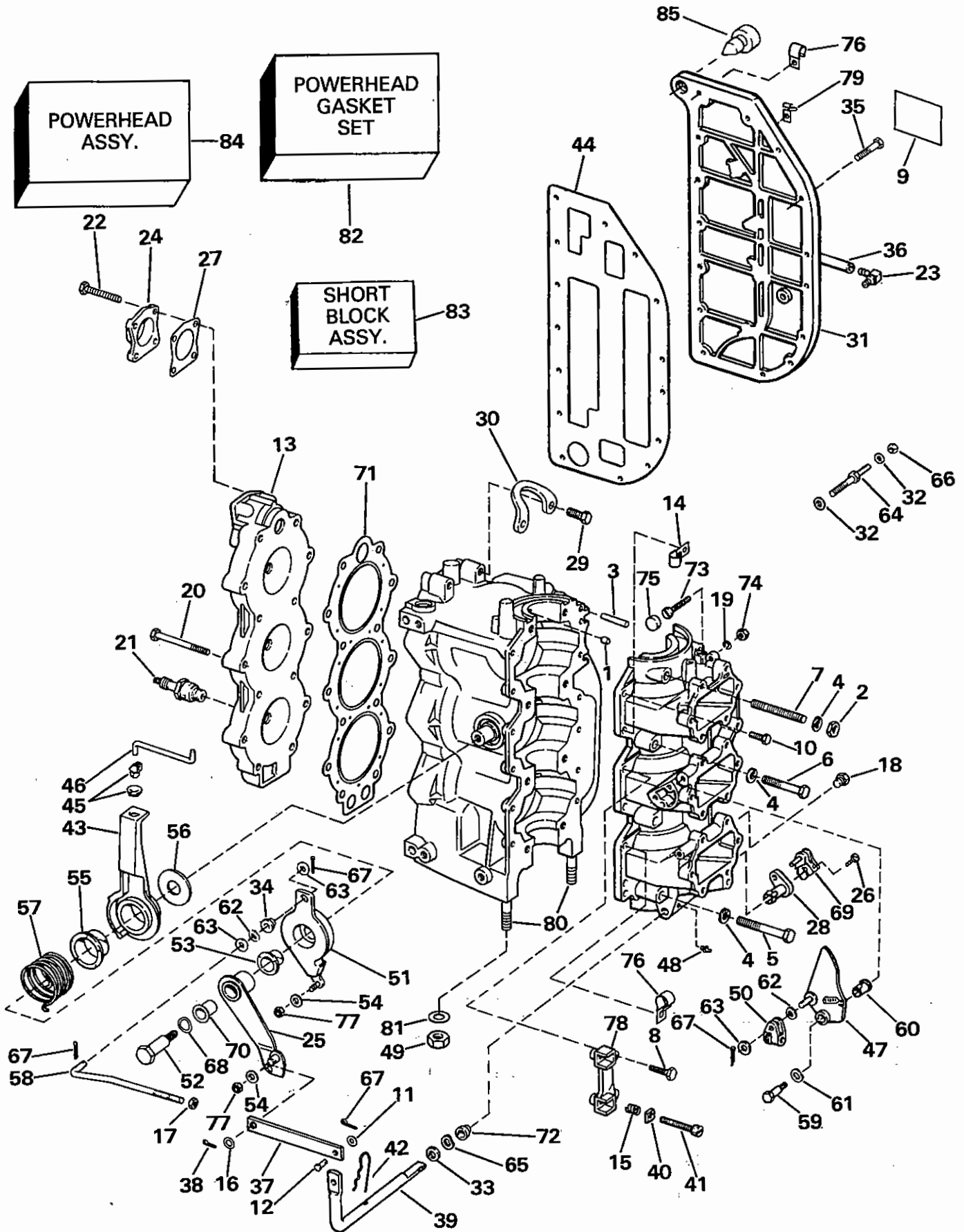
SST-60

Ref.	P/N	Name of Part	Qty.
1	394461	PISTON ASSY., Std.	3
1	398483	PISTON ASSY., 0.030 in. o.s. ①	3
2	391170	RING SET, Std.	3
2	391416	RING SET, 0.030 in. o.s.	3
3	553556	SCREW, Crankcase head mtg.	4
4	317831	RETAINING RING	6
5	395627	BEARING & RETAINER KIT	3
6	394462	CONNECTING ROD ASSY.	3
7	308186	SCREW, Rod cap	2
8	388344	RETAINER, Rod bearing	3
9	322188	WRIST PIN	3
10	390900	ROLLER BEARING ASSY.	1

Ref.	P/N	Name of Part	Qty.
11	321895	SEAL, Crankshaft	1
12	313754	O-RING, Upper bearing	1
13	307480	KEY, Flywheel	1
14	328788	CRANKSHAFT	1
15	310433	SPLIT SLEEVE, Center brg.	2
16	378252	RETAINER & NEEDLE ASSY.	2
17	377139	BEARING ASSY.	1
18	305132	RETAINING RING	1
19	308876	O-RING, Crankcase head	1
20	395820	CRANKCASE HEAD ASSY.	1
21	331103	SEAL	1
22	310585	O-RING, Crankshaft	1

① Includes Piston Rings

CYLINDER & CRANKCASE



CYLINDER & CRANKCASE

SHB00173
05-25-89

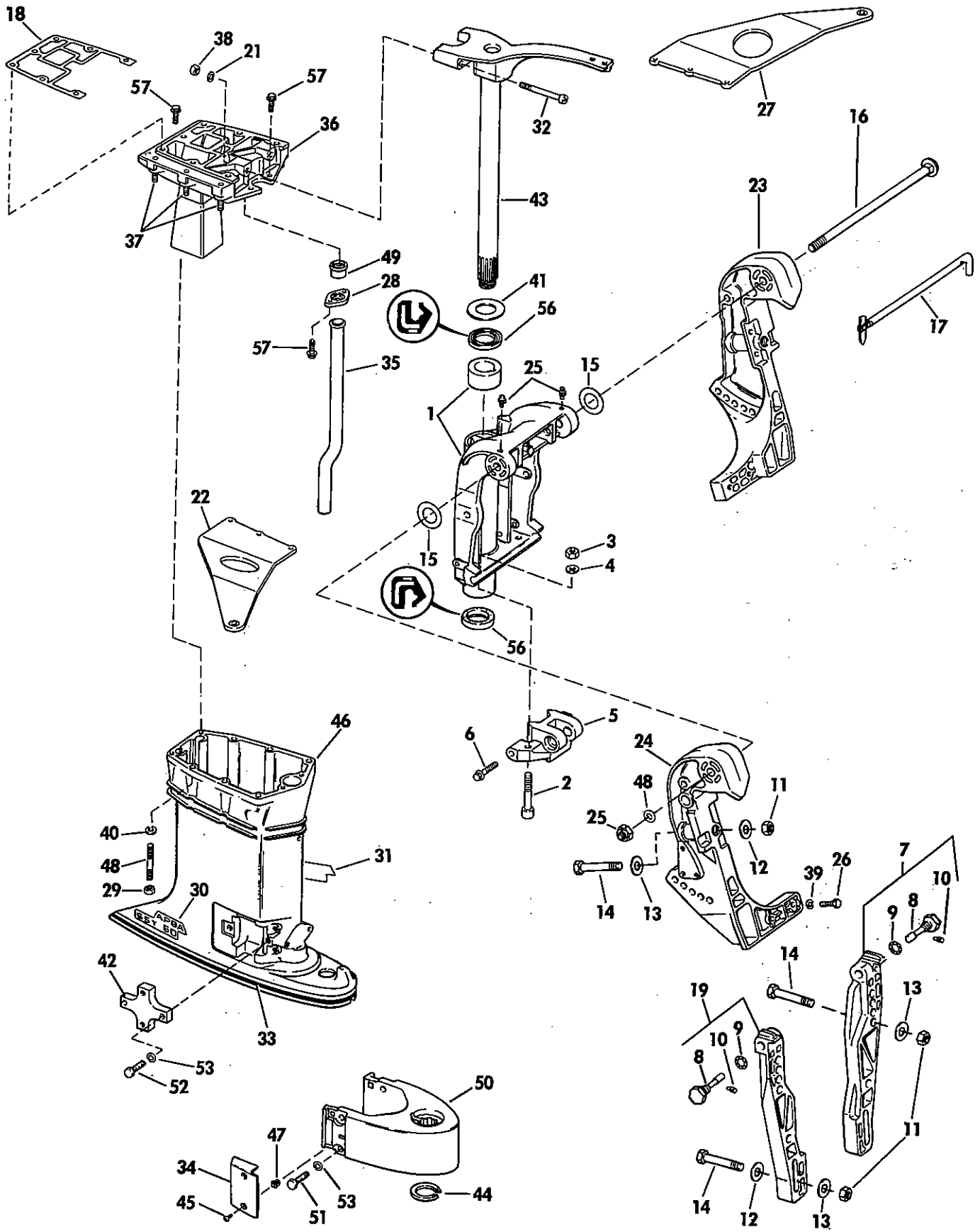
SST-60

Ref.	P/N	Name of Part	Qty.	Ref.	P/N	Name of Part	Qty.
★*	433544	CYLINDER & CRANKCASE ASSY.	1	43	319318	LEVER, Spark advance.	1
1	304178	. DOWEL PIN.	3	44	329833	GASKET, Exhaust manifold.	1
2	320372	. LOCKNUT, Crankcase to cylinder.	2	45	395448	BALL & SOCKET, Spark linkage.	2
3	305070	. TAPER PIN.	1	46	332180	LINK, Spark advance.	1
4	300343	. WASHER, Crankcase to cylinder.	8	47	431707	THROTTLE CAM ASSEMBLY.	1
5	311416	. SCREW, Lower main bearing.	2	48	313607	LUBRICATION FITTING.	1
6	131794	. SCREW, Crankcase to cylinder.	4	49	315204	NUT, Powerhead stud.	6
7	313538	. STUD, Crankcase to cylinder.	2	50	397018	YOKE, Throttle arm.	1
8	308751	SCREW, Bracket.	2	51	387800	LEVER, Throttle.	1
9	335607	DECAL, Cover.	1	52	318192	SHLDR. SCREW, Throttle lever.	1
10	306049	SCREW.	10	53	314002	BUSHING.	1
11	328702	WASHER, Pin to yoke.	1	54	328737	WASHER, Guides.	2
12	335447	PIN, Yoke to bellcrank.	1	55	314003	BUSHING, Spark lever.	1
★13	335460	CYLINDER HEAD.	1	56	314098	WASHER, Throttle lever.	1
14	309041	CLAMP, Timer base leads.	1	57	314094	SPRING, Throttle lever.	1
15	308993	SPRING, Idle adjustment.	2	58	329889	LINK, Throttle lever to cam.	1
16	328708	WASHER, Link to shift lever.	1	59	314136	SCREW, Throttle cam.	1
17	328741	NUT, Throttle rod.	1	60	314137	BUSHING, Throttle cam.	1
18	321164	PLUG.	1	61	328733	WASHER, Throttle cam.	1
19	302290	LOCKWASHER.	1	62	328734	WAVE WASHER.	2
20	319226	SCREW, Cylinder head.	14	63	328702	WASHER, Link.	3
21	387633	SPARK PLUG, Champion QL77JC4.	3	64	330143	BOLT, Double end.	1
22	306049	SCREW, Thermostat cover.	4	65	306012	BOW WASHER, Shift lever.	1
23	321886	ELBOW.	1	66	328740	NUT, Double end bolt.	1
24	333967	COVER, Thermostat and valves.	1	67	305650	COTTER PIN.	4
25	393545	BELLCRANK, Hub and pin assy.	1	68	908060	BOW WASHER, Shoulder screw.	1
26	317581	SCREW, Shift rod lever.	1	69	395588	LEVER, Shift rod.	1
27	329830	GASKET, Thermostat cover.	1	70	318193	BUSHING, Bellcrank.	1
28	330935	BUSHING & ROD KEEPER.	1	71	329836	GASKET, Cylinder head.	1
29	306322	SCREW.	2	72	318951	BUSHING, Shift lever to c'case.	1
30	333962	LIFT BRACKET.	1	73	328722	SCREW, Spark advance.	1
31	329834	COVER, Exhaust manifold.	1	74	328741	NUT, Spark advance.	1
32	328701	WASHER, Ground bolt.	2	75	314416	BUMPER, Spark advance.	1
33	202026	WASHER, Shifter lever.	1	76	330151	CLAMP, Leads.	2
34	314125	BUSHING, Link.	1	77	328064	NUT, Guides, remote control.	2
35	306049	SCREW, Exhaust cover.	14	78	316664	BRACKET, Idle adjustment.	1
36	331933	HOSE, Indicator.	1	79	326365	CLIP, Cable clamp to exh. cvr.	1
★37	335439	LINK, Shift lever.	1	★80	335440	STUD.	6
38	306387	COTTER PIN, Link to lever.	1	81	319453	WASHER.	6
★39	335450	SHIFT LEVER.	1	82	398047	POWERHEAD GASKET SET.	1
40	203688	NUT, Idle adjustment.	2	★83	433522	SHORT BLOCK ASSY.	1
41	306337	SCREW, Idle adjustment.	2	★84	433540	POWERHEAD ASSY. COMPLETE.	1
42	330941	RETAINER PIN, Shift lever.	1	85	314021	BUMPER, Manifold.	1

* Not Shown

SST-60

MIDSECTION



MID00090
02-28-90

SST-60 PCA0185A

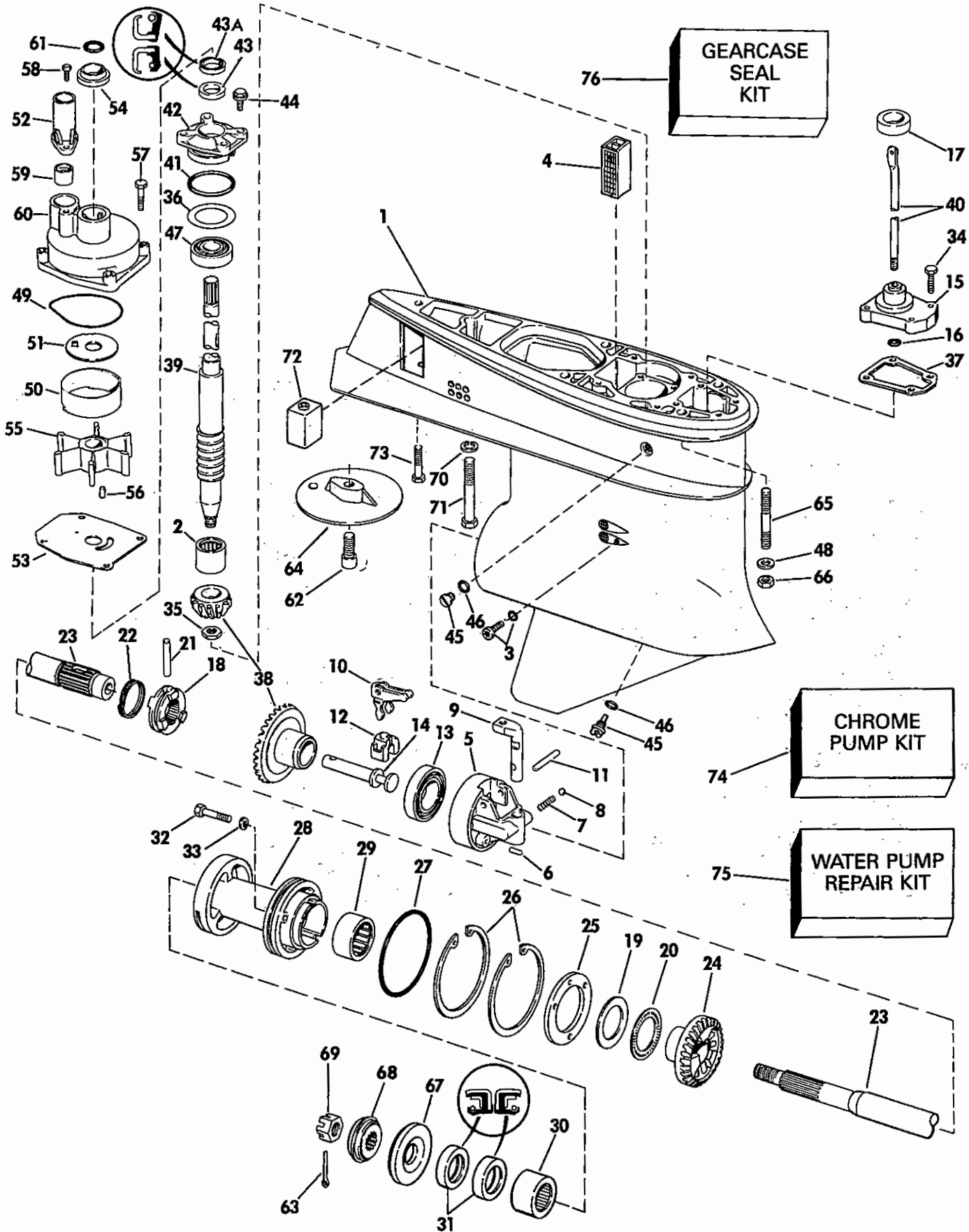
Ref.	P/N	Name of Part	Qty.
★1	433455	SWIVEL BRACKET	1
2	302579	. SCREW, Adapter	2
3	314898	. LOCKNUT	2
4	319453	. WASHER	2
★5	321440	. ADAPTER, Trim unit.	1
6	324960	. SCREW, Swivel bracket	2
7	387482	CLAMP ASSEMBLY, Port	1
8	307236	. LOCKBOLT, Bracket	1
9	326329	. LOCKWASHER	1
10	307222	. PIN, Lockbolt	1
11	313623	NUT, Clamp screw.	4
12	320248	WASHER, Clamp bolt.	2
13	307238	WASHER, Clamp screw	4
14	313327	SCREW, Mounting, 4 in. (102mm)	4
14	321577	SCREW, Mounting, 6 in. (152mm)	4
15	313820	THRUST WASHER	2
16	307226	BOLT, Tilting	1
18	329828	GASKET, Adapter to powerhead	1
19	387483	CLAMP ASSY., Starboard (incl. items 8, 9 & 10)	1
21	319453	WASHER	2
★22	433452	STEERING BAR, Starboard.	1
23	313824	STERN BRACKET, Port.	1
24	313825	STERN BRACKET, Starboard	1
25	313650	NUT, Tilting shaft	1
26	552940	SCREW, Port to stbd. bracket.	2
★27	433453	STEERING BAR, Port	1
★28	335541	SUPPORT, Water tube	1
29	123227	NUT, Steering bar	6

Ref.	P/N	Name of Part	Qty.
★30	335444	DECAL, APBA, starboard	1
★31	335445	DECAL, APBA, port	1
★32	335462	SCREW, Steering arm	2
33	211407	DECAL, Exhaust housing	1
34	313784	COVER, Mount bracket.	2
35	319282	WATER TUBE, Inlet	1
★36	433487	ADAPTER & MEGAPHONE.	1
37	314616	. STUD, Steering bar	6
38	314898	NUT, Screw	2
39	306470	LOCKWASHER,	2
40	305486	LOCKWASHER, Steering bar	6
41	313427	THRUST WASHER, Pivot shaft.	1
★42	335452	MOUNT	2
43	385755	ARM & SHAFT ASSY., Std.	1
44	318307	RETAINING RING	1
45	314245	SCREW	4
★46	433486	EXHAUST HOUSING	1
47	313785	GROMMET.	4
48	306428	WASHER, Tilt bolt	1
49	319043	SEAL, Water tube, upper	1
50	386486	MOUNT BRACKET	1
51	306503	. SCREW, Mount	4
52	306503	SCREW	4
53	306470	LOCKWASHER	8
★54	335438	STUD, Exhaust housing.	4
55	313607	LUBRICATION FITTING	3
56	317776	SEAL, Lower and upper.	2
57	309924	SCREW	2
58	203044	SCREW, Adapter	4

* Not Shown

SST-60

GEARCASE



GEARCASE

GRC00076
02-28-90

SST-60 891408

Ref.	P/N	Name of Part	Qty.	Ref.	P/N	Name of Part	Qty.
★*	433655	GEARCASE ASSY.	1	38	397421	. GEAR & PINION ASSY., Fwd.	1
★1	433454	. GEARCASE & BRG. ASSY.	1	39	391377	. DRIVESHAFT ASSY.	1
2	386766	.. BEARING, Pinion	1	40	320127	. SHIFT ROD, Standard	1
3	324852	.. SET SCREW, Bearing	1	41	302588	. O-RING, Seal housing ③	1
*	332584	... SEAL	1	42	387067	. BEARING HSG. & SEAL ASSY.	1
4	320042	.. SCREEN, Water intake	1	43	321466	.. SEAL, Oil, driveshaft, lower ③	1
5	387066	. BRG. HOUSING & PIN	1	43A	332205	.. SEAL, Oil retainer, driveshaft, upper ③	1
6	331880	.. PIN, Locating	1	44	909386	. SCREW, Housing to gearcase	4
7	312870	. SPRING, Shifter detent	1	45	307551	. PLUG, Fill & drain, upper ③	1
8	160084	. BALL, Shifter detent	1	45	318544	. PLUG, Fill & drain, lower	1
9	322636	. DETENT, Shifter.	1	46	333572	.. O-RING	1
10	320120	. LEVER, Shifter	1	47	385175	. CONE & ROLLER ASSY.	1
11	320145	. PIN, Shifter lever	1	48	319453	WASHER	4
12	334163	. CRADLE, Shifter.	1	49	324981	SEAL, Impeller housing ① ③	1
13	386768	. BRG. ASSY., Fwd. gear	1	50	324980	LINER, Impeller housing ①	1
14	320172	. SHAFT, Shifter.	1	51	321940	PLATE, Impeller housing ①	1
15	387336	. COVER ASSY.	1	52	319276	GUIDE, Water tube.	1
16	318372	.. O-RING, Shift rod ③	1	53	319275	PLATE, Impeller housing ①	1
17	305762	. SEAL, Gearcase cover, std. ③	1	54	315748	GROMMET, Impeller housing ①	1
18	336446	. SHIFTER, Clutch dog	1	55	396725	IMPELLER ASSY. ①	1
19	320115	. THRUST WASHER	1	56	331901	. KEY, Driveshaft to impeller ①	1
20	386719	. THRUST BRG., Rev. gear	1	57	331979	SCREW, Impeller housing ①	4
21	320310	. PIN, Clutch dog	1	58	908158	SCREW, Guide to housing ①	1
22	320311	. SPRING, Clutch dog pin.	1	59	314008	GROMMET, Water tube ①	1
23	386659	. PROPELLER SHAFT ASSY.	1	60	391049	IMPELLER HOUSING ASSY.	1
24	320113	. GEAR, Reverse.	1	61	326649	O-RING, Driveshaft ①	1
25	320304	. RETAINER PLATE, Brg. hsg.	1	62	320040	SCREW, Trim tab	1
26	320309	. RETAINING RING	2	63	314502	COTTER PIN, Propeller nut	1
27	320303	. O-RING, Housing ③	1	★64	335451	TRIM TAB.	1
28	386920	. BEARING HOUSING ASSY.	1	★65	335438	STUD, Gearcase to exh. hsg.	4
29	386764	.. NEEDLE BEARING ASSY.	1	66	320936	NUT, Gearcase	4
30	386765	.. NEEDLE BEARING ASSY.	1	67	320305	THRUST BUSHING, Propeller	1
31	321467	.. SEAL, Oil ③	2	68	315810	SPACER, Propeller nut	1
32	320041	. SCREW, Housing ③	3	69	314503	NUT, Propeller.	1
33	332584	.. SEAL	1	70	306314	LOCKWASHER	1
34	302325	. SCREW, Cover to gearcase	4	71	313697	SCREW, Gearcase to hsg., long.	1
35	313339	. NUT, Pinion to driveshaft	1	72	393023	ANODE	1
36	320166	. SHIM, 0.003 in. (0,07mm)	AR	73	328096	SCREW, Filler block.	1
36	320167	. SHIM, 0.004 in. (0,10mm)	AR	74	389145	CHROME PUMP KIT.	1
36	320168	. SHIM, 0.005 in. (0,12mm)	AR	75	396729	WATER PUMP REPAIR KIT, (Includes impeller housing)	1
36	320169	. SHIM, 0.006 in. (0,15mm)	AR	76	396355	GEARCASE SEAL KIT	1
36	320170	. SHIM, 0.007 in. (0,17mm)	AR				
37	314082	. GASKET, Cover to gearcase ③	1				

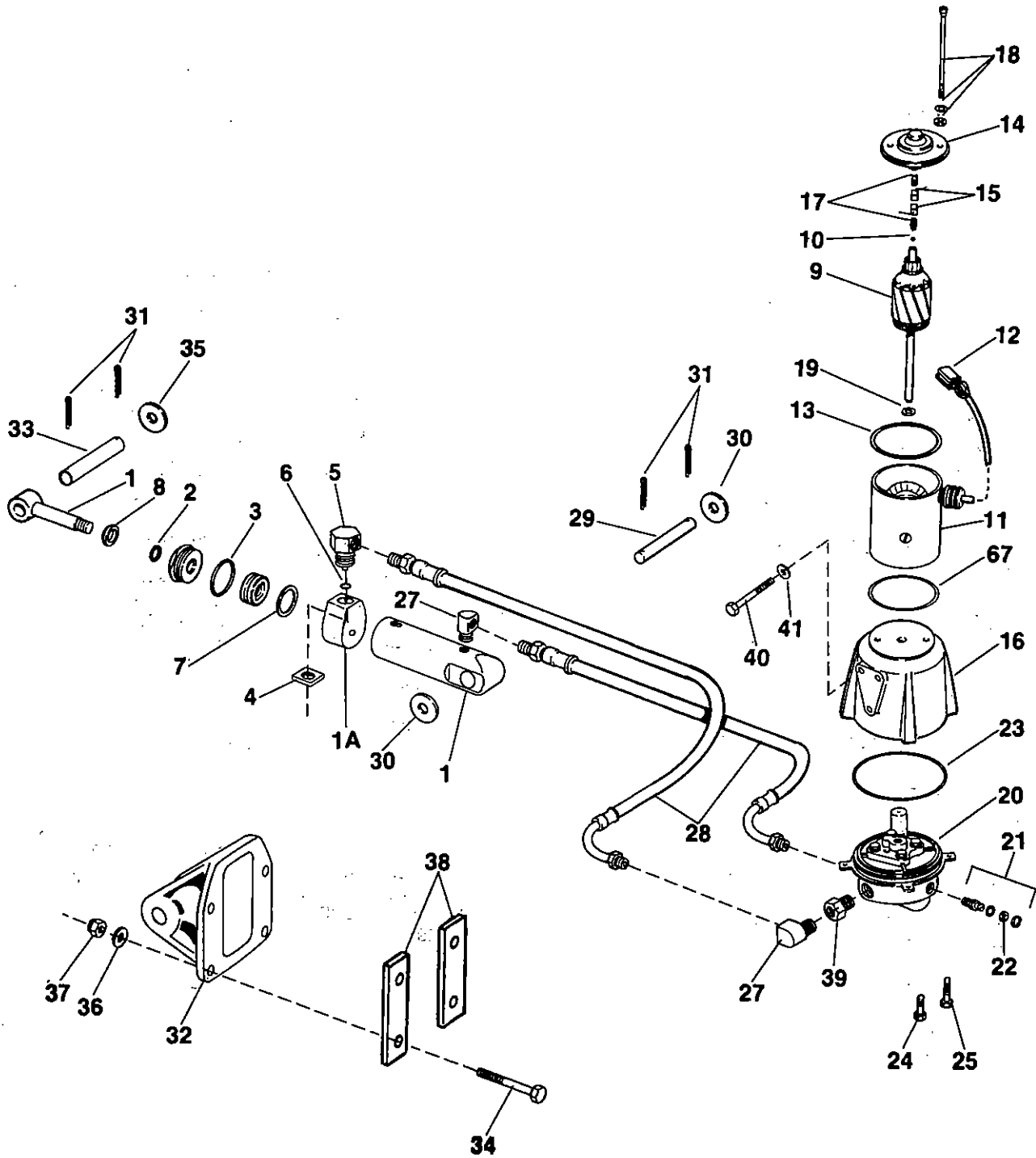
* Not Shown

① Contents of Water Pump Repair Kit

③ Contents of Gearcase Seal Kit

SST-60

POWER TRIM KIT



PCA0023A

POWER TRIM KIT

PTT00016
01-17-90

SST-60 PCA0023A

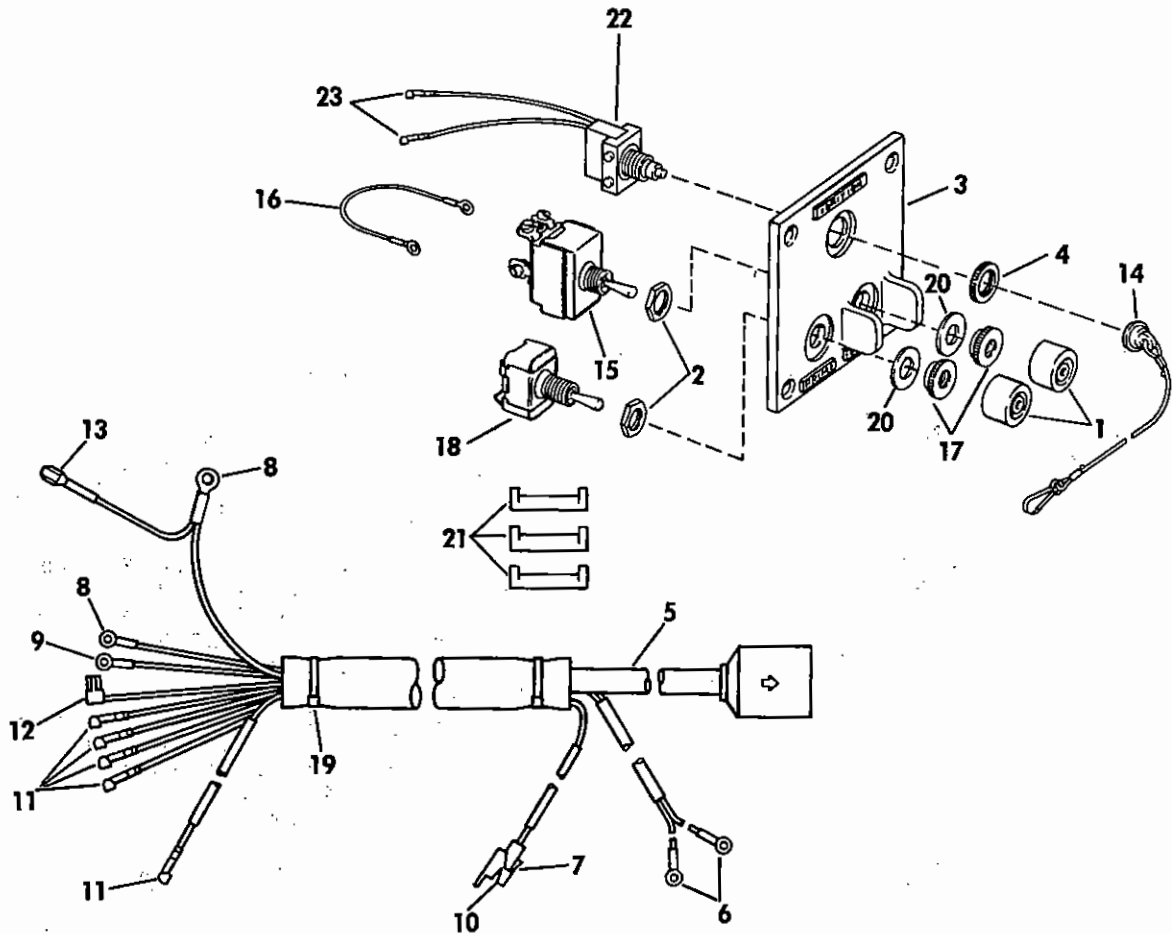
Ref.	P/N	Name of Part	Qty.
★*	568289	POWER TRIM KIT.	1
1	568288	. CYLINDER ASSY., Power trim	1
1A	122527	.. BAND, Cylinder	1
2	122678	.. O-RING, End cap to rod	1
3	122495	.. O-RING, End cap to cyl.	1
4	561389	.. NUT, Band.	1
5	560059	.. CONNECTOR, Oil line	1
6	321117	.. O-RING, Connector	1
7	122496	.. T-RING.	1
8	122494	.. ROD WIPER	1
*	172655	. PUMP & MOTOR ASSY.	1
*	172850	.. MTR. & RESERVOIR ASSY.	1
9	172851	.. ARMATURE	1
10	122788	.. BALL, Steel	1
11	172852	.. FRAME & FIELD ASSY.	1
12	122619	.. CONNECTOR	1
13	122790	.. GASKET.	2
14	172853	.. HEAD ASSY., Comm. end	1
15	172854	.. BRUSH SET	1
16	172855	.. RESERVOIR ASSY.	1
17	382950	.. SPRING SET, Brush	1
18	172856	.. THRU BOLT, Pkg.	1
19	314372	.. WASHER, Arm, thrust	AR

Ref.	P/N	Name of Part	Qty.
20	172857	.. VALVE BODY & GEARCASE ASSY.	1
21	172601	.. MANUAL RLF. PARTS PKG.	1
22	309996	.. O-RING, 7/16 in. (11mm) O.D.	1
23	122791	.. O-RING, 3.879 in. (98mm) O.D.	1
24	306357	.. SCREW, Short, 5/8 in. (16mm).	3
25	132123	.. SCREW, Long, 1 1/4 in. (32mm)	1
*	173569	.. CHECK VALVE REPAIR KIT	1
27	122510	. ELBOW, Oil line	2
28	982376	. HOSE ASSY., Power trim.	2
29	320792	. THRUST PIN, Trim	1
30	560063	. WASHER	2
31	319658	. COTTER PIN	4
32	561392	. BRACKET, Cyl. to transom.	1
33	561395	. PIN, Cyl. to swivel brkt.	1
34	332267	. SCREW, Brkt. to transom.	4
35	560064	. WASHER, Pin.	2
36	319453	. WASHER, Screw to brkt.	4
37	313990	. NUT, Lock brkt.	4
38	561396	. BACKUP PLATE	2
39	561087	. BUSHING, Pump to hose.	1
40	306416	. SCREW, Pump mounting.	3
41	306453	. WASHER, Pump mounting.	3

* Not Shown

SST-60

DASH PANEL



891420

ACE00047
01-24-89

SST-60

Ref.	P/N	Name of Part	Qty.
★*	584054	INSTRUMENT CABLE & SWITCH AY...	1
1	310781	. COVER, Choke & ignition switch	2
2	310782	. NUT, Choke & ignition switch	2
★3	333888	. DASH PANEL	1
4	327805	. NUT, Switch	1
5	584053	. INSTRUMENT CABLE ASSY.	1
6	204036	.. RING TERMINAL	2
7	310572	.. RECEPTACLE	1
8	204038	.. RING TERMINAL	2
9	510780	.. RING TERMINAL	1
10	512904	.. TERMINAL	1
11	308808	.. TERMINAL, Knife disconnect	5

Ref.	P/N	Name of Part	Qty.
12	309437	.. TERMINAL	1
13	204034	.. CONNECTOR	1
14	432230	.. CAP & LANYARD	1
15	388383	.. SWITCH ASSEMBLY, Ignition.	1
16	384818	.. LEAD ASSEMBLY.	1
17	900185	.. NUT, Choke & ignition switch	1
18	975257	.. SWITCH, Choke	1
19	320107	.. TIE STRAP	AR
20	900696	.. WASHER, Choke & ignition switch. . . .	2
21	303806	.. TUBING, Insulating	4
22★	584025	.. CUTOFF SWITCH ASSY.	1
23	308808	.. TERMINAL, Knife disconnect	2